

CHEMISTRY THAT MATTERS™

SABIC SOLUTIONS FOR BASE STATION APPLICATIONS

Global success in next-gen wireless technology depends on meeting consumer demands for speed, reliability, and sustainability. To achieve this, operators and device makers are implementing advanced technologies and expanding coverage and capacity. SABIC’s specialized materials empower industry evolution and enable collaboration on new applications. As a leading global supplier of specialty plastics, SABIC partners with top innovators to develop next-gen telecommunications devices, offering a broad portfolio of advanced materials and unique solutions.

SABIC VALUE PROPOSITION



SUPERIOR WEATHERABILITY AND MECHANICAL PROPERTIES



EMI SHIELDING AND THERMALLY CONDUCTIVE SOLUTIONS



PTFE AND METAL REPLACEMENT SOLUTIONS



CUSTOMIZED DK/DF SOLUTIONS



SUPERIOR LOW CTE COMPOUNDS FOR PLASTIC CONNECTORS AND CAVITY RF FILTERS



ULTRA LOW DK/DF AND MOISTURE ABSORBING THERMOSET OLIGOMER

DIPOLE AND PHASE SHIFTER

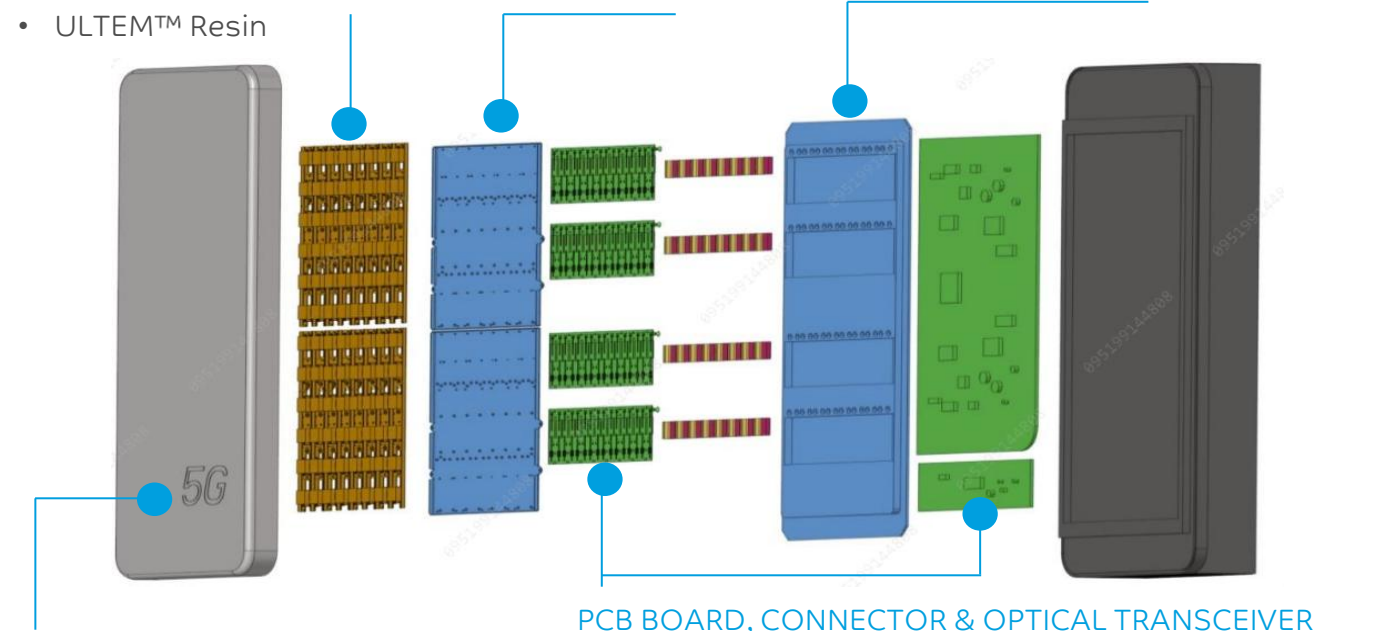
- LNPT™ THERMOCOMP™ Compounds
- ULTEM™ Resin

EMI SHIELDING PLATE

- LNPT™ FARADDEX™ Compounds

RF FILTER

- ULTEM™ Resin



RADOME

- LNPT™ ELCRES™ Copolymer PC

PCB BOARD, CONNECTOR & OPTICAL TRANSCEIVER

- NORYL™ SA Resin (ultra-low loss)
- ULTEM™ Resin
- LNPT™ THERMOCOMP™ Compounds

CONTACT US

SABIC HEADQUARTERS

PO Box 5101
Riyadh 11422
Saudi Arabia
T +966 (0) 11 225 8000
F +966 (0) 11 225 9000

EUROPE

SABIC Europe Head Office
WTC Tower Ten, 16th floor
Strawinskylaan 1475
1077 XX Amsterdam
The Netherlands

REST OF ASIA

SABIC Asia Pacific Head Office
One Temasek Avenue
#06-01 Millenia Tower
Singapore 039192
T +65 6557 2555
F +65 6531 8101

GREATER CHINA

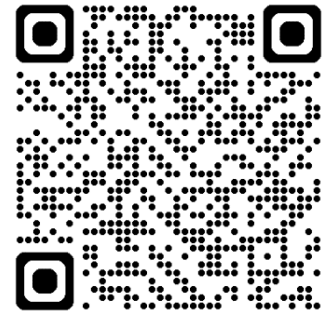
SABIC China Head Office
2550, Xiupu Road, Pudong
Shanghai, 201319
China
T +86 21 2037 8188
F +86 21 2037 8288

AMERICAS

SABIC Americas Head Office
Suite 100
2500 City West Boulevard
Houston, TX 77042
USA
T +1 713 532 4999
F +1 713 532 4994 E

FOR INQUIRIES & QUESTIONS

Please scan our QR code



DISCLAIMER: THE MATERIALS, PRODUCTS AND SERVICES OF SAUDI BASIC INDUSTRIES CORPORATION (SABIC) OR ITS SUBSIDIARIES OR AFFILIATES (“SELLER”) ARE SOLD SUBJECT TO SELLER’S STANDARD CONDITIONS OF SALE, WHICH ARE AVAILABLE UPON REQUEST. INFORMATION AND RECOMMENDATIONS CONTAINED IN THIS DOCUMENT ARE GIVEN IN GOOD FAITH. HOWEVER, SELLER MAKES NO EXPRESS OR IMPLIED REPRESENTATION, WARRANTY OR GUARANTEE (i) THAT ANY RESULTS DESCRIBED IN THIS DOCUMENT WILL BE OBTAINED UNDER END-USE CONDITIONS, OR (ii) AS TO THE EFFECTIVENESS OR SAFETY OF ANY DESIGN OR APPLICATION INCORPORATING SELLER’S MATERIALS, PRODUCTS, SERVICES OR RECOMMENDATIONS. UNLESS OTHERWISE PROVIDED IN SELLER’S STANDARD CONDITIONS OF SALE, SELLER SHALL NOT BE RESPONSIBLE FOR ANY LOSS RESULTING FROM ANY USE OF ITS MATERIALS, PRODUCTS, SERVICES OR RECOMMENDATIONS DESCRIBED IN THIS DOCUMENT. Each user is responsible for making its own determination as to the suitability of Seller’s materials, products, services or recommendations for the user’s particular use through appropriate end-use and other testing and analysis. Nothing in any document or oral statement shall be deemed to alter or waive any provision of Seller’s Standard Conditions of Sale or this Disclaimer, unless it is specifically agreed to in a writing signed by Seller. Statements by Seller concerning a possible use of any material, product, service or design do not, are not intended to, and should not be construed to grant any license under any patent or other intellectual property right of Seller or as a recommendation for the use of any material, product, service or design in a manner that infringes any patent or other intellectual property right. SABIC and brands marked with ™ are trademarks of SABIC or its subsidiaries or affiliates.

© 2026 Saudi Basic Industries Corporation (SABIC). All Rights Reserved.

† Any brands, products or services of other companies referenced in this document are the trademarks, service marks and/or trade names of their respective holders.